

SC700

Touch Screen RFID Access Control Terminal

SC700 is an RFID access control terminal with a 3-inch color TFT touch-screen display.

SC700 has a built-in 12V relay contact which can be connected directly to the door lock (electric or magnetic) when SC700 is used as a stand-alone door controller.

While most programming options are available directly on the SC700 display, it's highly recommended instead to configure the SC700 by using ZKAccess v3.5 standalone management software. Programming options include time zones and device grouping configurations, holiday settings, 3rd party peripheral linkage and anti-passback, to just name a few.

For the highest level of security and programming flexibility, SC700 also has a built-in Wiegand-Out port which can be connected to most any access control panel with Wiegand-In ports (including the ZKAccess C3 and InBio door controllers).

SC700 comes standard with a ZKAccess 125 KHz 26-bit RFID (non-HID) built-in card reader. Mifare card reader option also available.

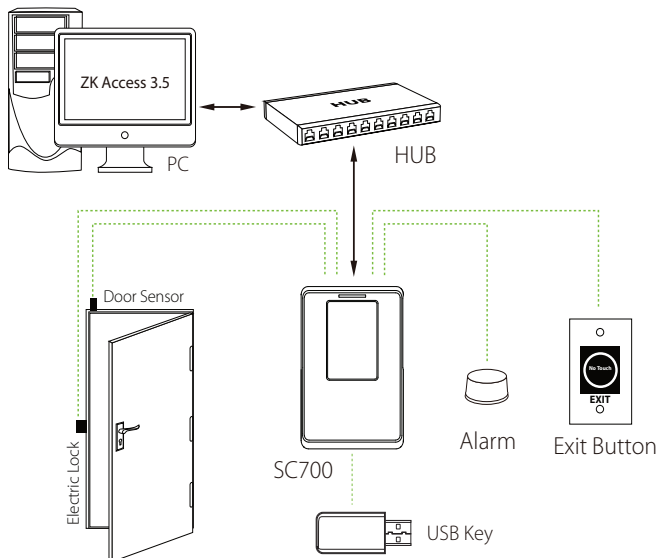
Features

- 3-inch color TFT touch-screen display for easy user navigation
- Standard ZK 125 KHz EM 26-bit card reader (non-HID).
Optional Mifare card reader available.
- Relay outputs for electric lock and alarm; Digital inputs for door status sensor and exit switch
- Stores up to 30,000 cards and 100,000 records
- Wiegand In-port can connect SC700 to 3rd party external Wiegand card readers. Wiegand-Out port can connect SC700 to most all 3rd party (and ZKAccess) access control panels with Wiegand-In ports
- Built-in speakers & LEDs provide users both audio & visual feedback

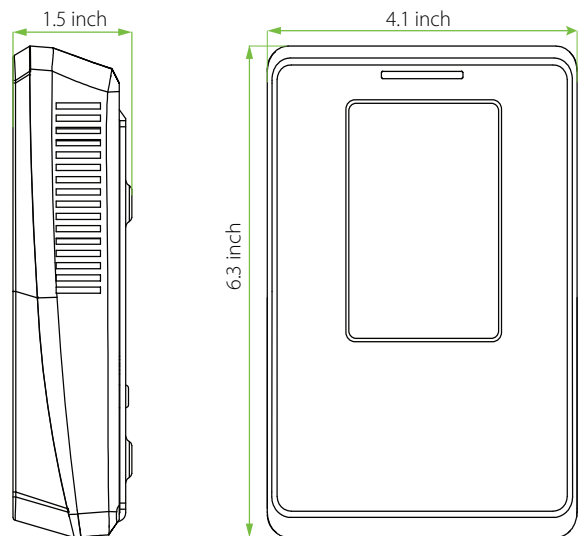
Specifications

Display	3-inch color TFT touch screen display
ID Card Capacity	30,000 cards
Log Capacity	100,000 records
Communication	TCP/IP, USB Host
Standard Functions	Single and dual-factor ID card and password authentication
Access Control Hardware Interface	Connects 3rd Party Electric or Magnetic Lock, Door Sensor, Exit Button, Alarm
Wiegand Interface	Wiegand-In port and Wiegand-Out port
Optional Functions	Integrated Mifare card reader
Power Supply	12V/3A
Operating Temperature	32F - 113F
Operating Humidity	20% - 80%
Dimensions (HxWxD)	6.3 x 4.1 x 1.5 inches

Configuration



Dimensions



ZKAccess

6 Kingsbridge Road, Unit 8, Fairfield, NJ 07004
 Phone: (862) 505-2101 • Fax: (862) 204-5906 • sales@zkaccess.com • www.zkaccess.com

© Copyright 2016. ZKTeco Inc. ZKTeco Logo and ZKAccess Logo are registered trademarks of ZKTeco or a related company. All other product and company names mentioned are used for identification purposes only and may be the trademarks of their respective owners. All specifications are subject to change without notice. All rights reserved.

